

COMPONENT OPTIONS AND ACCESSORIES

Brownbuilt

Standard Column Heights (H) available:

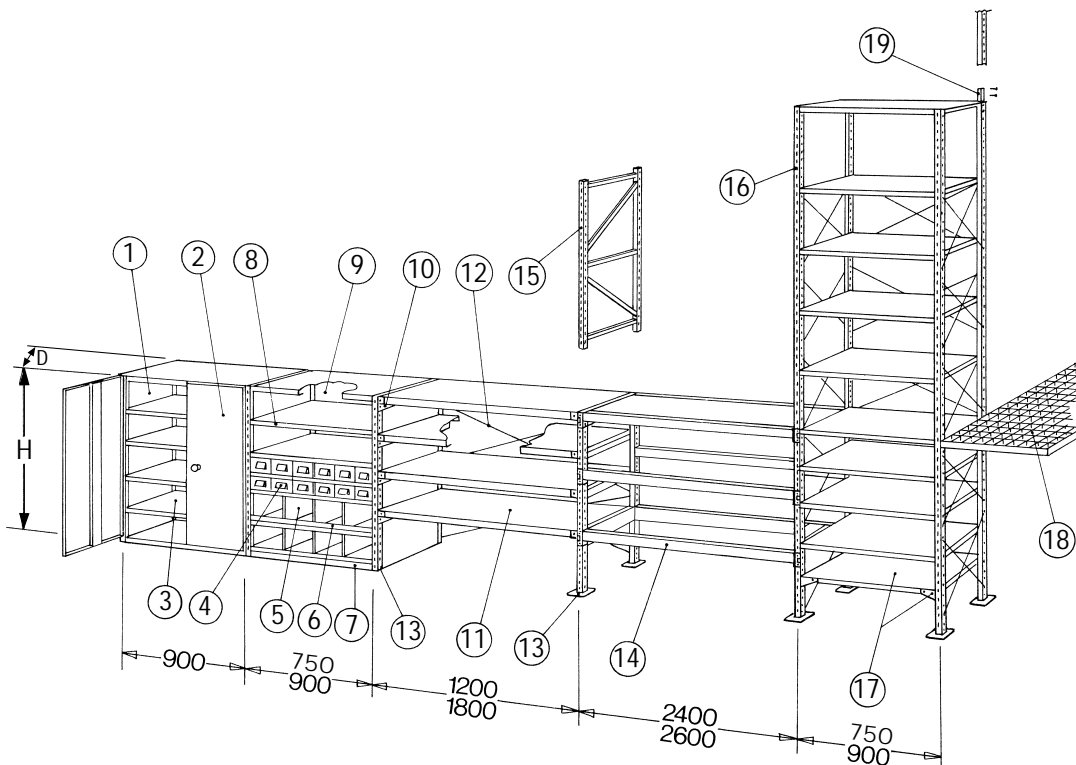
Heights (mm)	1800	2250	2400	2700	3000
--------------	------	------	------	------	------

Standard Depths (D) available:

Bolted/Welded Frame	600	900	1050				
Cross Braced Frame	300	400	450	500	600	750	900
Wide Span Shelf	200	300	400*	500*	600*	900*	

Dimensions shown in nominal millimetres

* Available as combinations of 200mm and 300mm deep Wide Span Shelves



- | | |
|--|---|
| <ol style="list-style-type: none"> 1. Solid Sides 2. Three point locking door sets* 3. Shelves: <ul style="list-style-type: none"> • Light Duty • Medium Duty 4. Parts Boxes: <ul style="list-style-type: none"> • Steel • Plastic • Cardboard 5. Shelf Dividers 6. Bin Front: 50mm 7. Kickplates: 50mm 8. Card Holders 9. Solid or Braced Backs 10. Full Depth Wide Span Shelf Support | <ol style="list-style-type: none"> 11. Wide Span "Slimline" Shelves 12. Cross Bracing 13. Foot Plates: <ul style="list-style-type: none"> • Steel • Plastic (optional cap) 14. Light Duty Shelf Beams 15. Frame Assembly: <ul style="list-style-type: none"> • Bolted on-site 16. Unichannel Column 17. Shelf with Angle Gusset 18. Particle Board Decking 19. Column Splicing Piece <p>* Door Sets not available for 2700 and 3000mm high shelving</p> |
|--|---|

UNICHANNEL®

For more information call
1800 112 474

or visit our web site
www.brownbuilt.com.au

Manufactured by
BROWNBUILT PTY. LIMITED
ACN 002 558 894 ABN 66 002 558 894

Brownbuilt and Unichannel
are registered trademarks
of Brownbuilt Pty Ltd.
Brownbuilt Pty Ltd reserves the right
to change specifications without notice.

**5 YEAR
WARRANTY**